



# NY-GLASS CAMLOCKS

## Recommended Use:

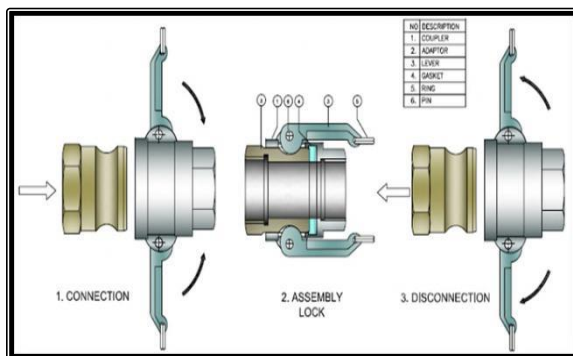
Designed for use with liquids, Yellow Ny Glass camlocks are made of nylon reinforced with glass fibers with stainless steel levers and pins.

These are lightweight couplings that are resistant to various chemicals (check chemical charts), solvents, weathering, and salt water.

Ny-glass camlocks are highly resistant to cross threading, impact, warpage, and crushing. They are also electrically inert - no sparks or galvanic action.

They are not recommended for use in food applications. Ny-glass camlocks are becoming increasingly popular and offer many advantages over polypropylene and traditional aluminum, bronze, or stainless steel fittings.

Camlocks are NOT for use with compressed air or gases. Always confirm if gasket material is compatible with fluid. Dust Caps and Dust Plugs are not to be used in pressure applications.



Rated working pressures at 20° C  
15mm – 25mm 100psi,  
40mm – 50mm 75psi,  
80mm – 100mm 50psi  
Maximum temperature is 79°C.  
Special precaution must be taken when using at elevated temperatures - consult factory.

Type	15mm	20mm	25mm	32mm	40mm	50mm	80mm	100mm	150mm
A	15mm	20mm	25mm	32mm	40mm	50mm	80mm	100mm	150mm
B	15mm	20mm	25mm	32mm	40mm	50mm	80mm	100mm	150mm
C	15mm	20mm	25mm	32mm	40mm	50mm	80mm	100mm	150mm
D	15mm	20mm	25mm	32mm	40mm	50mm	80mm	100mm	150mm
E	15mm	20mm	25mm	32mm	40mm	50mm	80mm	100mm	150mm
F	15mm	20mm	25mm	32mm	40mm	50mm	80mm	100mm	150mm
DC	15mm	20mm	25mm	32mm	40mm	50mm	80mm	100mm	150mm
DP	15mm	20mm	25mm	32mm	40mm	50mm	80mm	100mm	150mm

